



Depth measurement tooling

Custom made

- **Mechanische Studien**
- **Realisierungen**
- **Verkabelung**
- **Steuerungen**

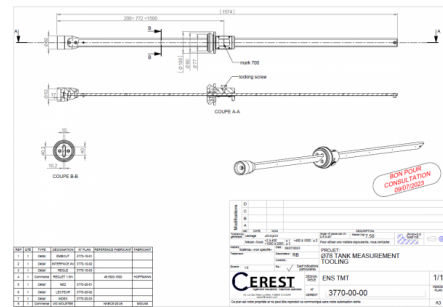
Tools allowing the measurement of the internal dimension of the tank.

Its dedicated design allows direct and repeatable reading of the controlled value.

Robust construction suitable for the metallurgy sector.

SPECIFICATIONS :

- **Minimum depth 200mm**
- **Maximum depth 1500mm**
- **Weight 7.5kg**



Ref : 3770

Leistung hinzugefügt 21/01/24

