



Depth measurement tooling

Custom made

● Mechanical engineering

● Realizations

○ Cabling

○ Machines

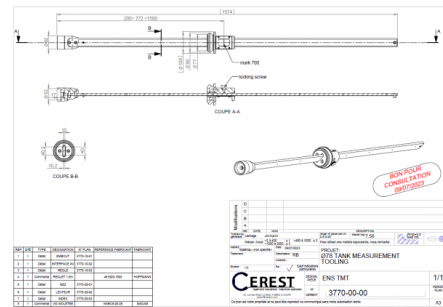
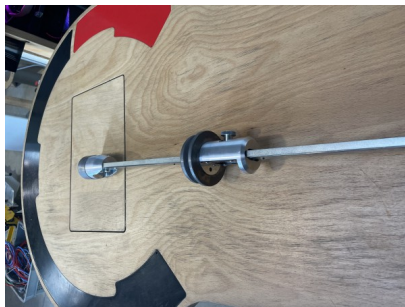
Tools allowing the measurement of the internal dimension of the tank.

Its dedicated design allows direct and repeatable reading of the controlled value.

Robust construction suitable for the metallurgy sector.

SPECIFICATIONS :

- Minimum depth 200mm
- Maximum depth 1500mm
- Weight 7.5kg



Reference : 3770

Project added the 21/01/24



CEREST
20 Rue des Frères Lumiere
68000 Colmar - FRANCE



EMAIL
cerest@cerest.com



PHONE
+33 (0)3.89.21.02.56



INTERNET
www.cerest.com